

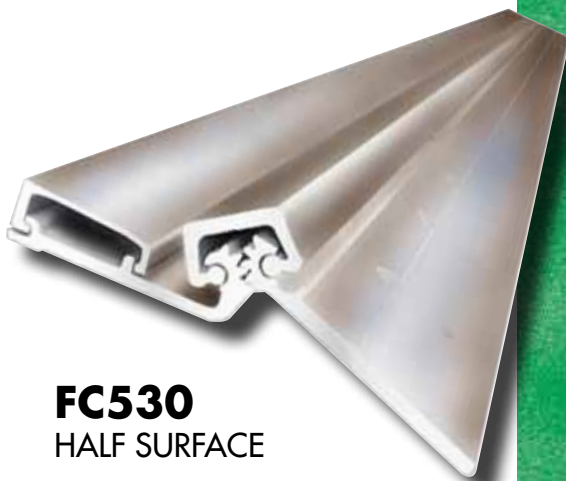
FC Series Continuous Gear Hinges

Durable and attractive, these continuous gear hinges are the right answer to provide maximum life for your entrance. Twice the number of bearings as standard duty gear hinges means you can hang heavy doors with confidence. The attractive anodized finishes will last and the concealed fasteners provide great security.

- Available sizes : 83" , 95" and 120"
- # 12 - 24 x 1/2" Self-drilling mounting screws are included
- Hinges are non-handled (prior to field cutting)
- Anodized finishes: Clear, Dark Bronze and Black



FC110/111
FULLY CONCEALED



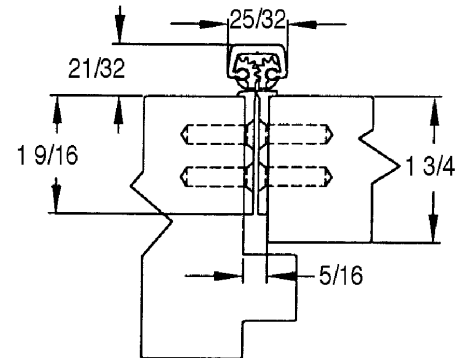
FC530
HALF SURFACE



FC570
FULL SURFACE

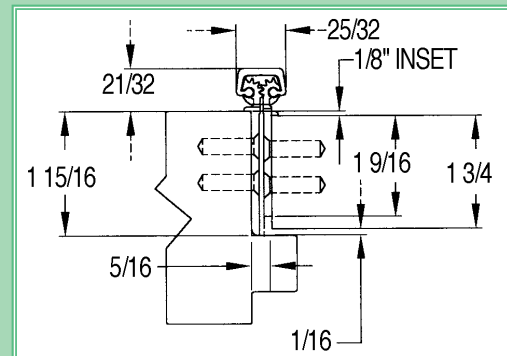
FC110

- **Fully Concealed**
- No mortising of doors or frames required
- Flush mount, no inset
- Doors up to 450#
- 83" units can be cut down up to 4" without changing bearings or mounting holes



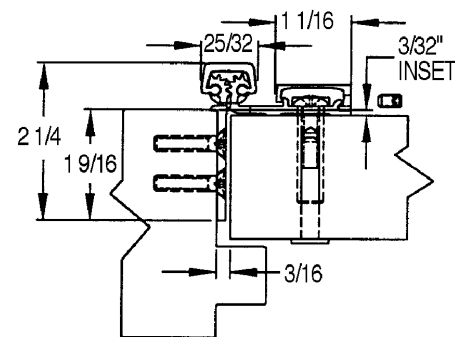
FC111

- **Fully Concealed**
- No mortising of doors or frames required
- 1/8" inset
- Doors up to 450#
- 83" units can be cut down up to 4" without changing bearings or mounting holes



FC530

- **Half Surface Mount**
- 3/32" Inset
- 1-9/16" Frame leaf
- Doors up to 450#
- 83" units can be cut down up to 4" without changing bearings or mounting holes



FC570

- **Full Surface**
- 1/16" Inset
- 7/8" Minimum frame
- Doors up to 450#
- 83" units can be cut down up to 4" without changing bearings or mounting holes

