



Series 3700 Rim Latching Exit Device

www.firstchoicebuildingproducts.com
Ph: 800-793-4544

FOR DOORS WITHOUT KEY CYLINDERS

TO INSTALLING ACTIVATING DEVICE

Prepare doors, omitting the cylinder holes, as per template on page 8.



Install the hinge stile mounting bracket with 2 ea. $\frac{1}{4}$ -20 x $\frac{1}{2}$ " pan head screws leaving space to capture the base of the device (see next step).



Fig. A

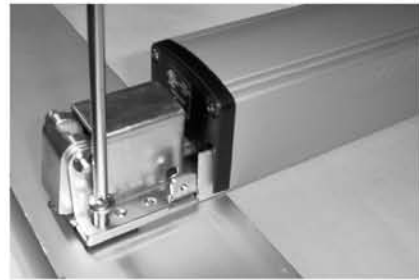
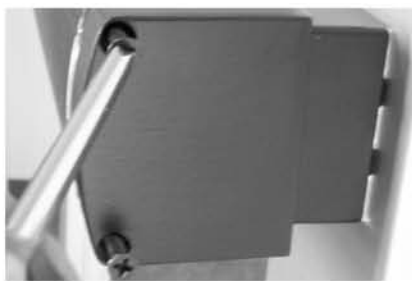


Fig. B

Slip the device base under the mounting bracket (Fig. A) and attach device to the lock stile with 2 ea. $\frac{1}{4}$ -20 x $\frac{3}{4}$ " screws (Fig. B). Tighten all four $\frac{1}{4}$ -20 screws to secure the device.

MOUNT INACTIVE AND ACTIVE COVERS.



Mount the inactive side end cap using 2 ea. #8-32 x $1\frac{1}{2}$ " screws.



Install the active side cover, with the device un-dogged, using 2 ea. #10-32 x $\frac{3}{8}$ " screws.

FOR DOORS WITH KEY CYLINDER

Prepare doors as per template on page 8.



Trim the cylinder tail piece so that it is slightly below the door face after mounting.

Install key cylinder using mounting screws supplied with the cylinder. (The screws may need to be shortened.)



Install the hinge stile mounting bracket with 2 ea. $\frac{1}{4}$ -20 x $\frac{1}{2}$ " pan head screws leaving space to capture the base of the device (see next step).



Fig. A



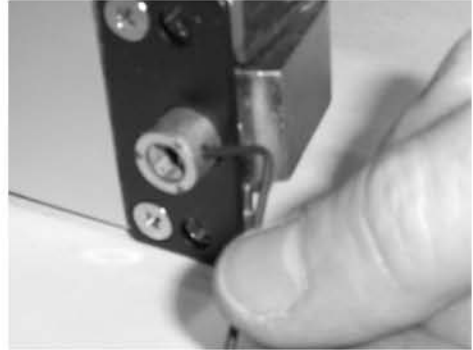
Fig. B

Slip the device base under the mounting bracket (Fig. A) and attach device to the lock stile with 2 ea. $\frac{1}{4}$ -20 x $\frac{3}{4}$ " screws (Fig. B). Tighten all four $\frac{1}{4}$ -20 screws to secure the device.

MOUNT INACTIVE AND ACTIVE COVERS-SEE PAGE 2.

Setting Cylinder Function

All cylinder retractors are factory set for **Night Latch** function. To set for **Hold Back** function, simply remove the set screw to allow additional rotation of the cylinder tailpiece.



INSTALLING THE FRAME STOP

Prepare the door frame as shown on page 5.



Install the roller strike with two each #10-32 x 1" screws so that the roller edge is flush with the frame stop. (Use strike shim for 5/16" stops.)

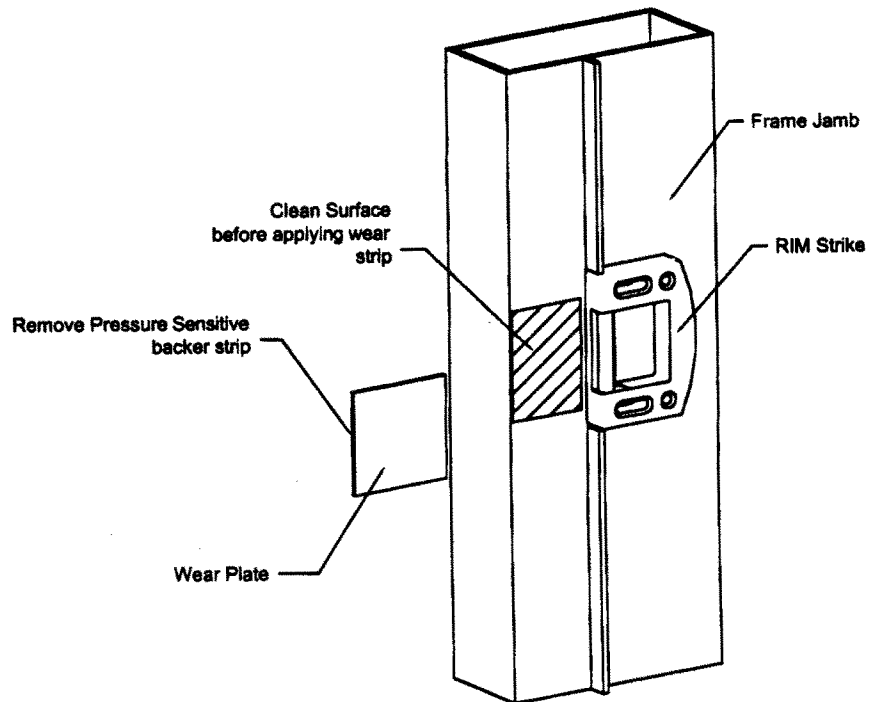


Using the roller strike as a template drill and tap rear mounting holes. Install remaining 10-32 x 1" mounting screws and tighten all four screws.

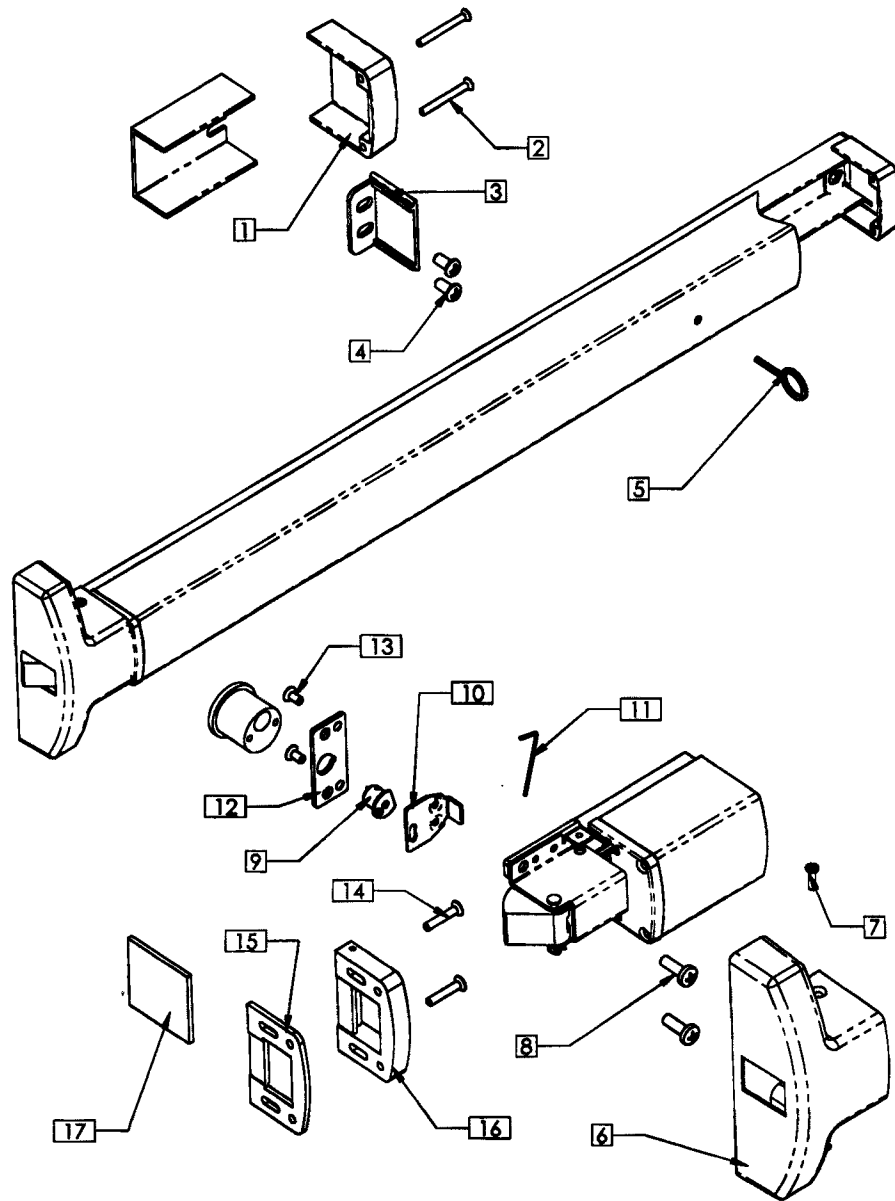
Locate the adhesive backed Wear Strip as shown on page 5 and mount in place.

Installing Wear Strip

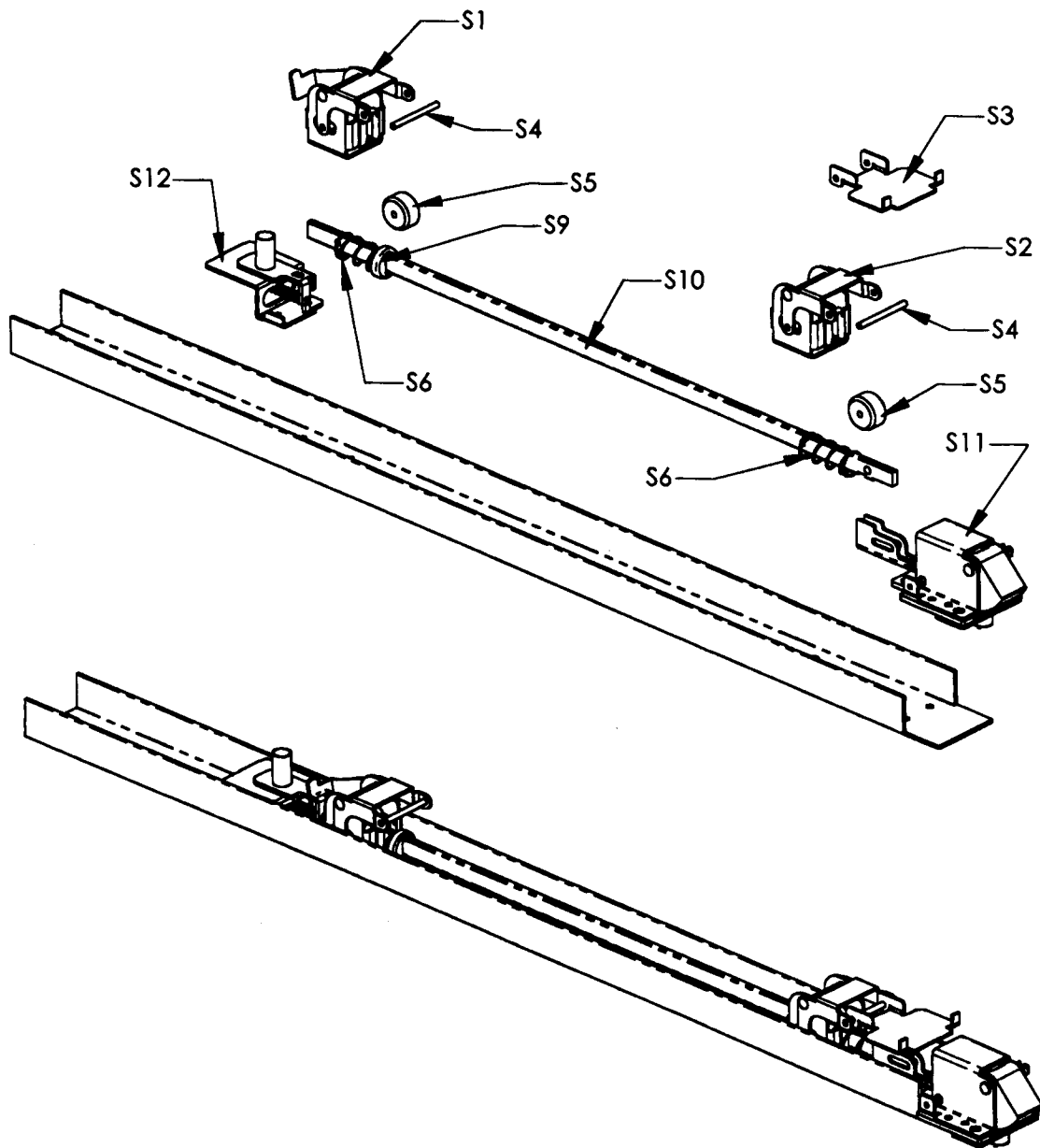
1. Cut wear strip to desired length.
2. Clean surface of frame jamb before applying wear strip in indicated area.
3. Peel backer paper from wear strip.
4. Apply wear strip flush to front of frame jamb in indicated area.



**FOR MULLION APPLICATION SEE INSTRUCTIONS FOR
SERIES RM300 MULLIONS**



Reference Number	Description	Part Number	Quantity Per Device
1	Hinge Stile Push Bar End Cap	30	1
2	End Cap Screw	802	2
3	Channel End Cap	33	1
4	Hinge Stile Mounting Screws	801	2
5	Dogging Key	819	1
6	Center Cover	40A	1
7	Cover Screw	804	2
8	LS Mounting Screws	826	2
9	Cylinder Cam	9039	1
10	Retractor	35	1
11	Allen Wrench	825	1
12	Cam Spacer Plate	31	1
13	Spacer Plate Screws	M817	2
14	Strike Mounting Screw	836	4
15	Strike Shim	17001423	1
16	Strike Assy.	17001A05	1
17	UHMD Wear Strip	17001288	1



Reference Number	Description	Part Number	Quantity Per Device
S1	Hinge Stile Activating Bracket	71	1
S2	Lock Stile activating Bracket	9034	1
S3	Push Bar Bracket	15	1
S4	Push Bar Axle Pin	16	2
S5	Roller Stop	17	2
S6	Spring	23	2
S9	Spring Cap	24	1
S10	Activating Connecting Rod	21	1
S11	Rim Latch Bracket Assy.	9032	1
S12	Dogging Kit	71	1

ADDITIONAL ITEMS NOT REFERENCED-

LS End Cap	50	1
LS End Cap Screw	838	2
Push Bar Activating Assy - 36" - Clear	370036-CL	1
Push Bar Activating Assy - 36" - Dark Brz	370036-BR	1

RIM Panic Installation Template

All prep is on interior side of door, except where noted.

Right Hand door shown. (LHRB)

