

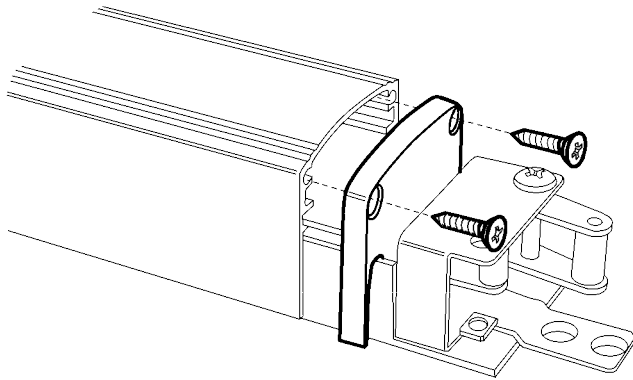


Phone: (800) 793-4544

Fax: (800) 867-5016

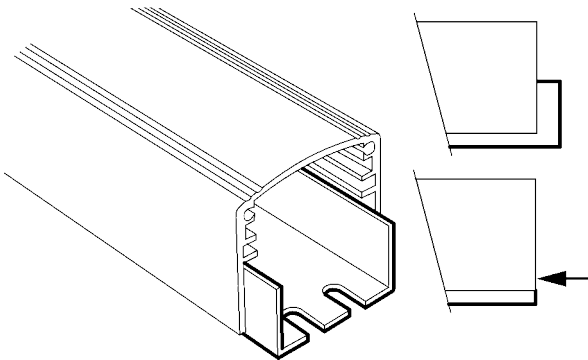
www.firstchoicebuildingproducts.com

Field Sizing Instructions



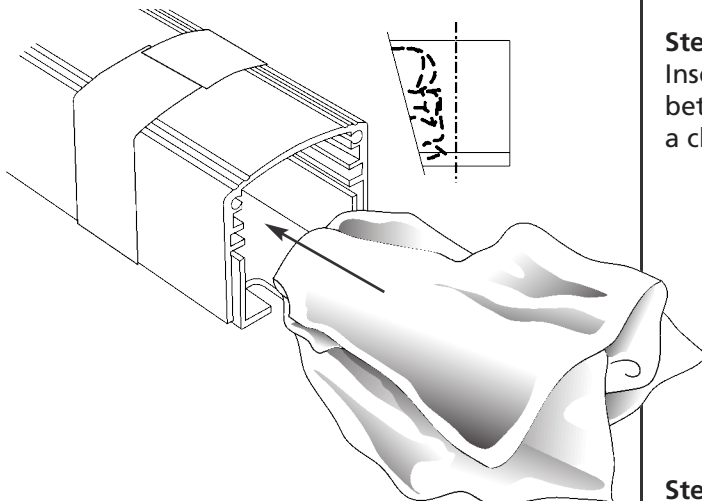
Step 1

Remove the attaching screws from the lock side push bar end cap.



Step 2

Slide the push bar away from the push bar retaining bracket and toward the hinge side until it is flush with the end of the channel. Tape both bars together.



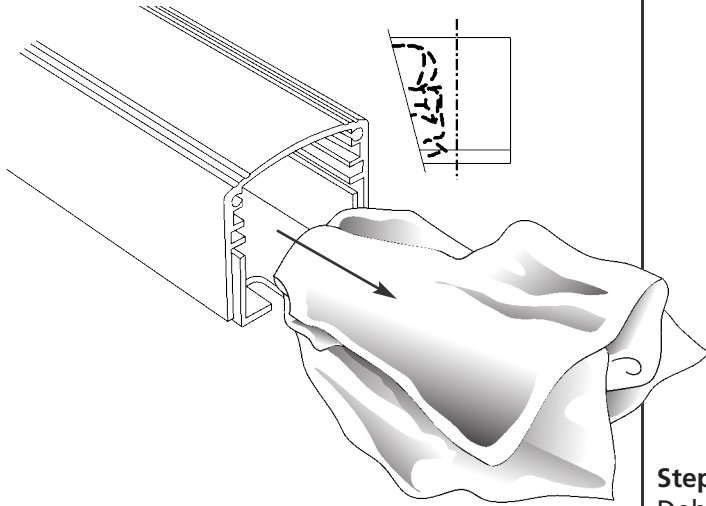
Step 3

Insert a piece of paper towel into the space between the push bar and channel to act as a chip guard during cutting.

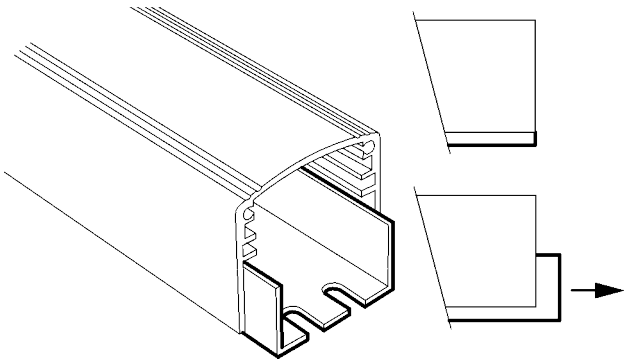
Step 4

Mark the amount to be cut off of the exit device.

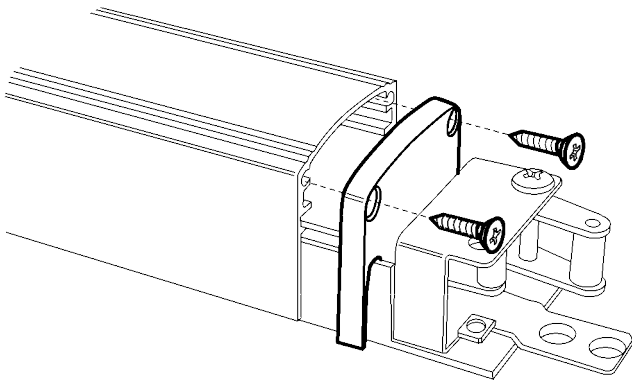
Step 5
Make the cut as desired.



Step 6
Deburr edges, remove the paper towel, and slide the push bar back to the lock side until it stops against the push bar retaining bracket.



Step 7
Re-attach the lock side push bar end cap.



Step 8
Use the channel remnant to relocate the two mounting holes in the hinge side of the channel.

