



Special Projects Group
(888) 284-4774

NOTES:

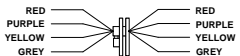
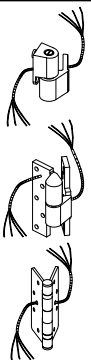
- 1) Verify that each component requiring or supplying power has been configured for proper system voltage before applying power.
- 2) All wires to be 18 awg 100' max unless otherwise noted on drawing. Refer to manufacturers instructions for proper wire gauge on any power supply, electric device or electrified lock hardware. Manufacturers requirements take precedence.
- 3) All line voltage power to be I/A/W local electrical code.
- 4) All low voltage wires to be stranded copper unless superseded by local electrical code or electric device manufacturer.

POWER TRANSFERS

NOTE:

Optional power transfers are available. Please note variations in wire size and maximum run length for these options.

- 14 AWG - 40 ft max
- 12 AWG - 60 ft max
- 10 AWG - 100 ft max



NOTE:

Make certain to maintain consistent wire color across the transfer to maintain polarity.

Exterior

Function Statement:

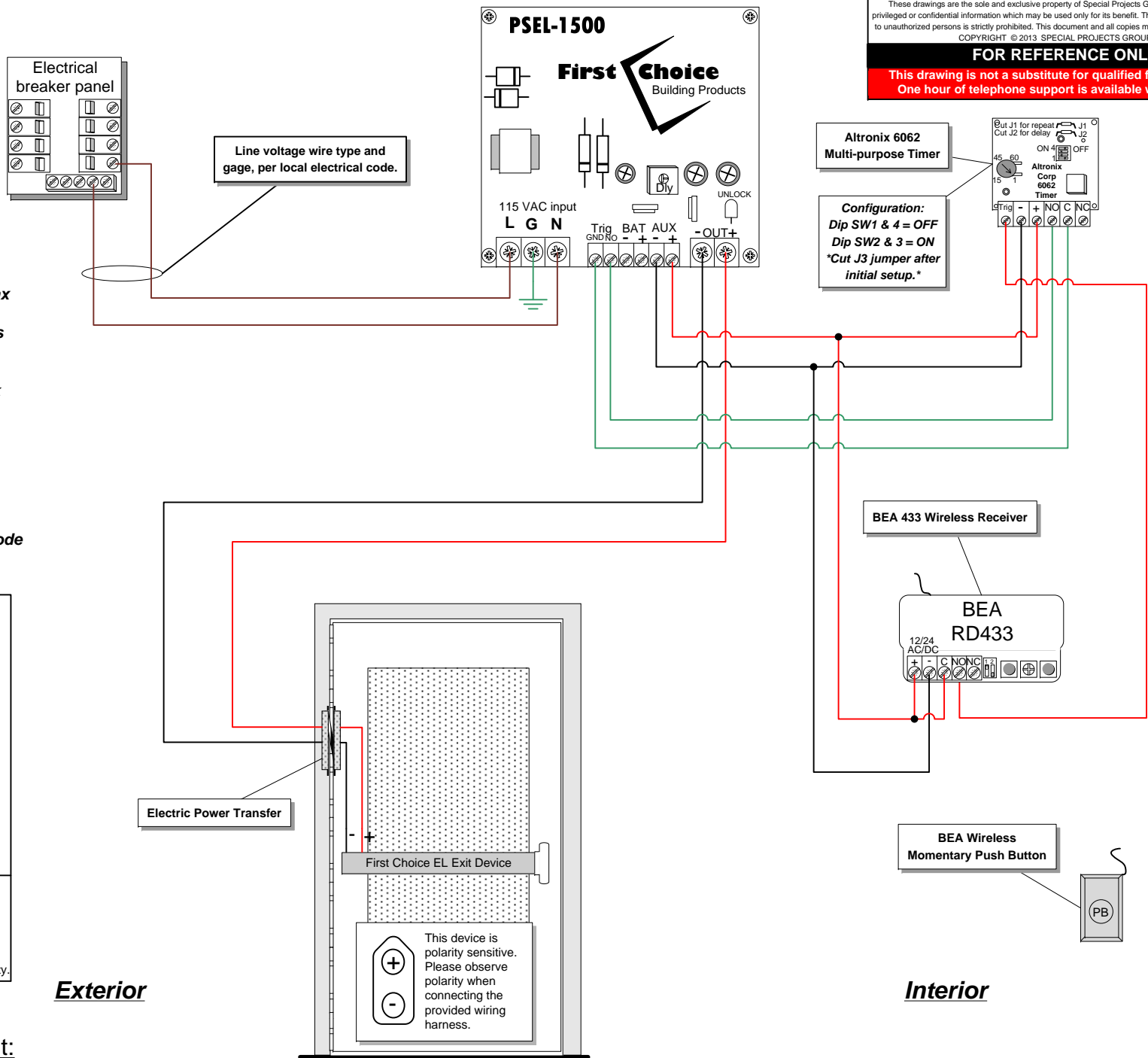
From exterior - locked condition: Interior push button to control ingress into building.

From exterior - unlocked condition: Door to remain locked unless dogged by mechanical key.

From interior - locked condition: Free egress at all times by means of exit device.

From interior - unlocked condition: Free egress at all times by means of exit device.

General: Altronix 6062 Timer to be used in conjunction with remote release push button for time control. Adjustable from 1 second to 1hour.



These drawings are the sole and exclusive property of Special Projects Group and contain sensitive privileged or confidential information which may be used only for its benefit. The disclosure of these drawings to unauthorized persons is strictly prohibited. This document and all copies must be returned upon demand.
COPYRIGHT © 2013 SPECIAL PROJECTS GROUP, INC.

FOR REFERENCE ONLY

**This drawing is not a substitute for qualified field technicians.
One hour of telephone support is available without charge.**

Interior

Title: PSEL 1500 EL SGL WLS w 6062.vsd	Project: EL exit 1 single door w timer
Heading: Various	Door: Various
Date: 9/26/2013	Date Printed: 9/26/2013 Last Revised: 9/26/2013 10:55:56 AM
Drawn By: Cody Richardson	For: First Choice Building Products Pg: 1 OF 1