

Lever Installation Template

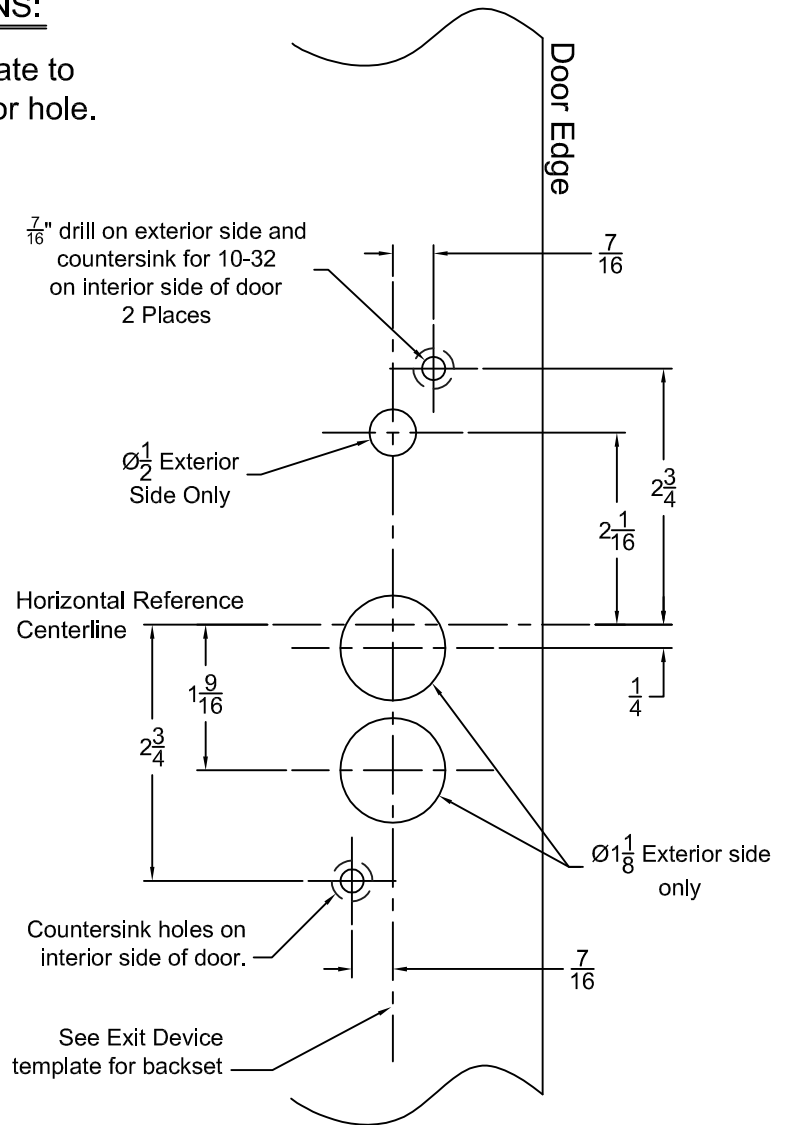
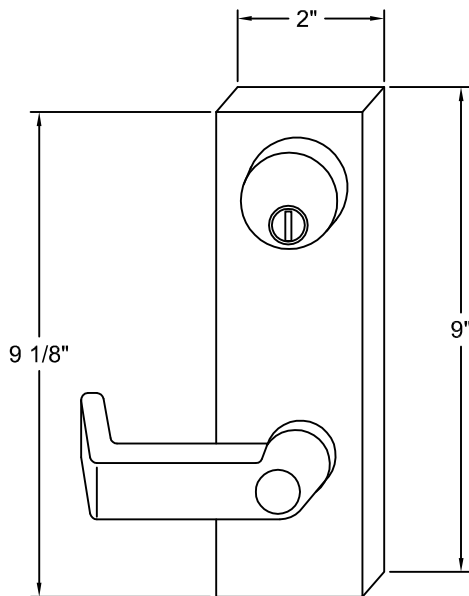
for First Choice CVR 3690 Exit Device
 Model L3610 -E LHR Lever Trim
 with Electric Control

DOOR & FRAME PREPARATION INSTRUCTIONS:

For centerline reference use the exit device template to locate pinion gear hole, also known as the operator hole.

ELECTRICAL CONNECTION

Wiring is to be brought from the frame to the lock area of the door.



NOTE: All holes are on exterior surface, unless noted.

Levers require steel pinions-Replace if necessary



Elk Grove Village, IL
 800-793-4544

This template is NOT TO SCALE.
 Rev Date: 3/14/07