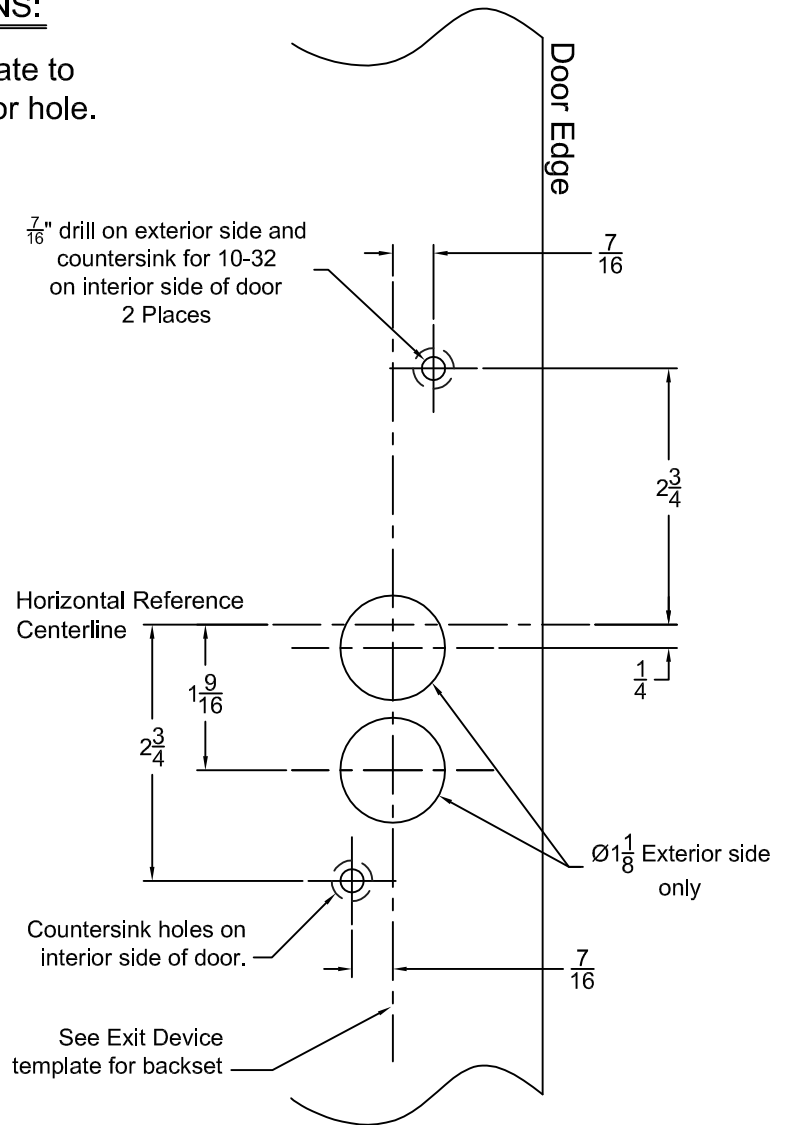
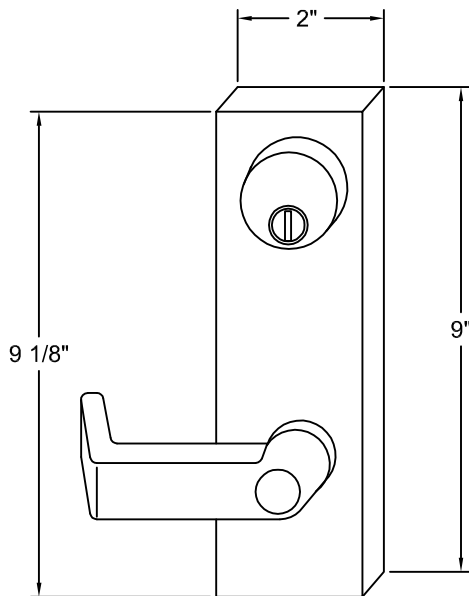


# Lever Installation Template

for First Choice CVR 3690 Exit Device  
Model L3610 -M LHR Lever Trim

## DOOR & FRAME PREPARATION INSTRUCTIONS:

For centerline reference use the exit device template to locate pinion gear hole, also known as the operator hole.



**NOTE: All holes are on exterior surface, unless noted.**

Levers require steel pinions-Replace if necessary



Elk Grove Village, IL  
800-793-4544

This template is NOT TO SCALE.  
Rev Date: 3/14/07