

Lever Installation Template

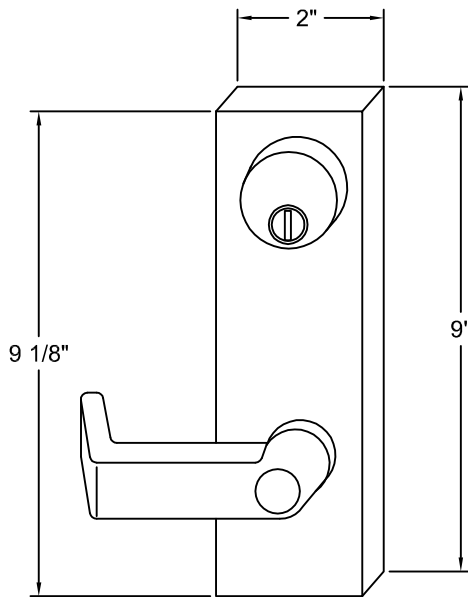
for First Choice Rim Latching 3790
Exit Device Model L3710 -E LHR
Lever Trim with Electric Control

DOOR & FRAME PREPARATION INSTRUCTIONS:

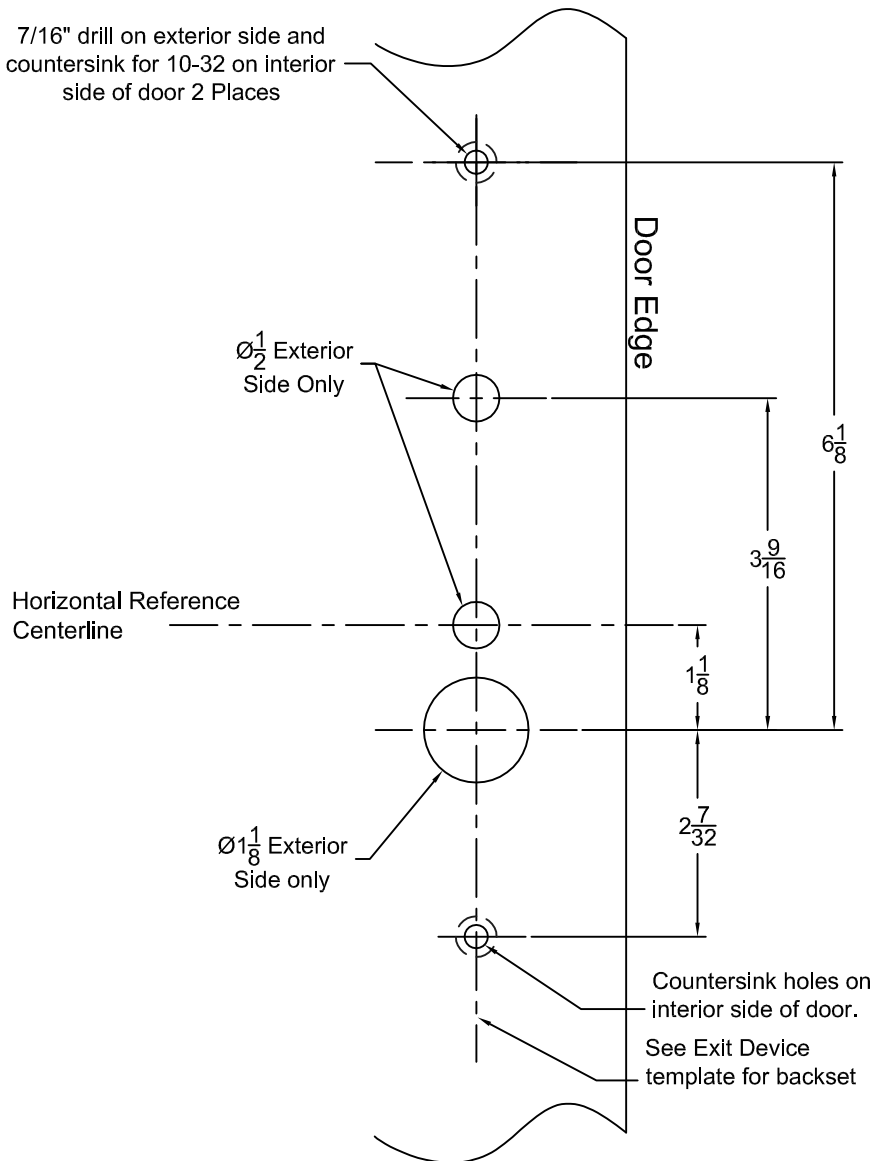
For centerline reference use the exit device template to locate cylinder cam hole, also known as the operator hole.

ELECTRICAL CONNECTION

Wiring is to be brought from the frame to the lock area of the door.



7/16" drill on exterior side and countersink for 10-32 on interior side of door 2 Places



NOTE: All holes are on exterior surface, unless noted.

