

Lever Installation Template

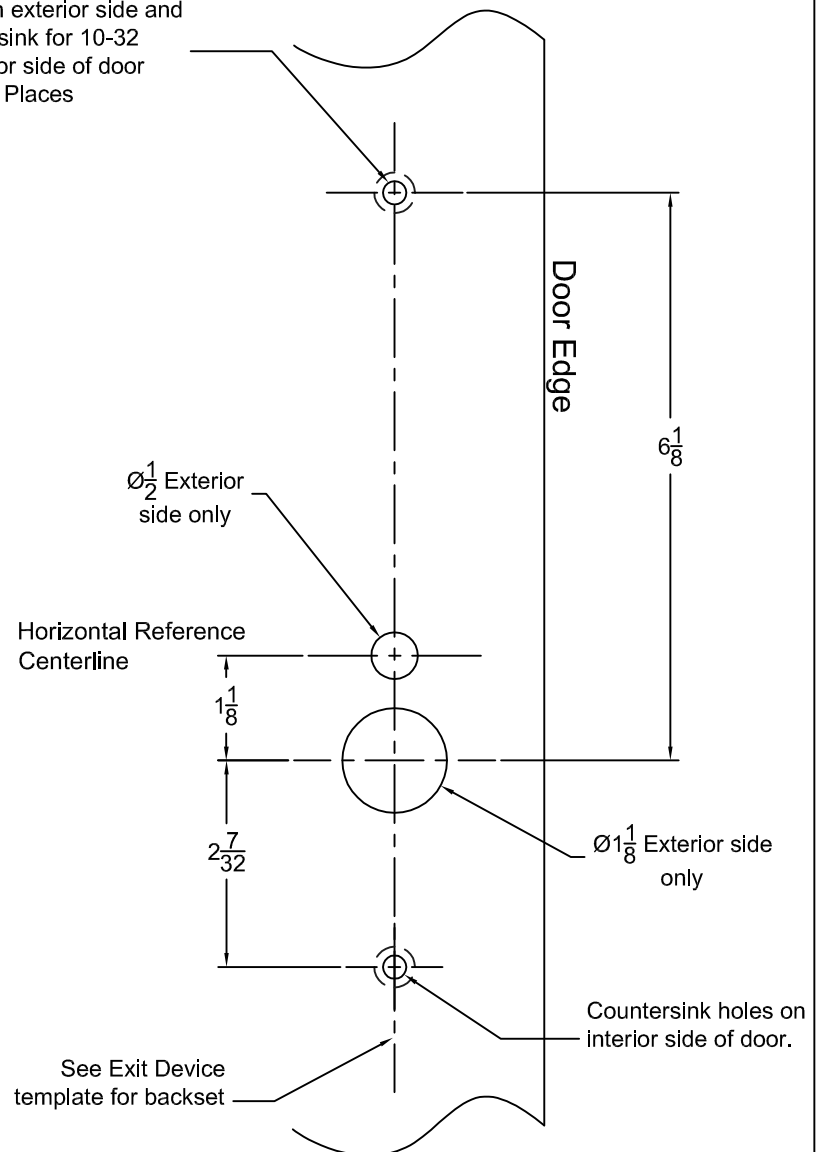
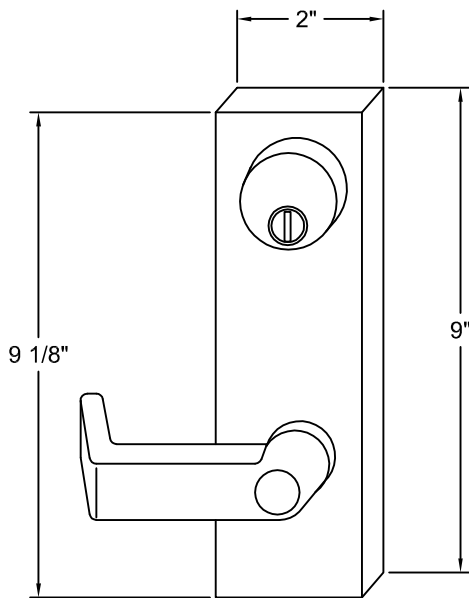
for First Choice Rim Latching 3790 Exit Device

Model L3710 -M LHR Lever Trim

DOOR & FRAME PREPARATION INSTRUCTIONS:

For centerline reference use the exit device template to locate cylinder cam hole, also known as the operator hole.

7/16" drill on exterior side and
countersink for 10-32
on interior side of door
2 Places



NOTE: All holes are on exterior surface, unless noted.



Elk Grove Village, IL
800-793-4544

This template is NOT TO SCALE.
Rev Date: 3/14/07