

# Lever Installation Template

for First Choice RIM 3790 Exit Device  
Model L3720 -E RHR Lever Trim  
with Electric Control

## DOOR & FRAME PREPARATION INSTRUCTIONS:

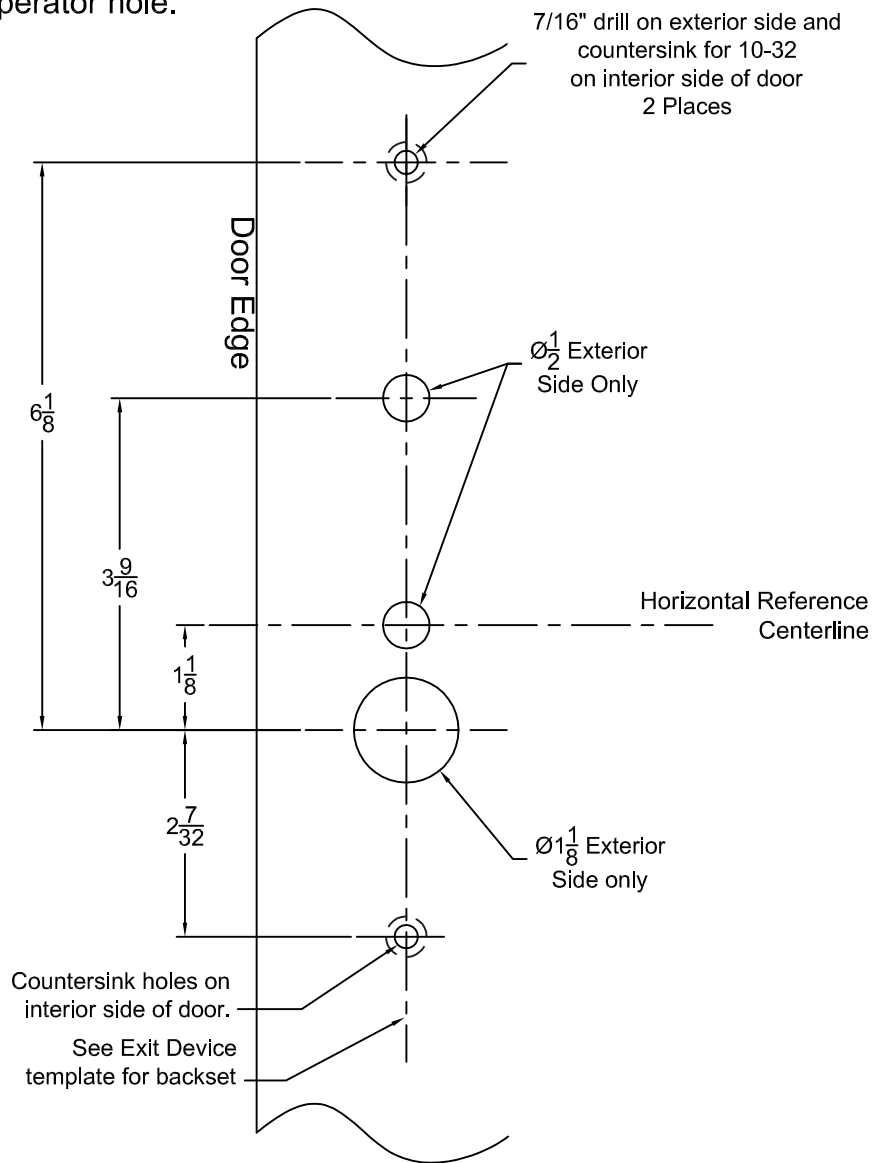
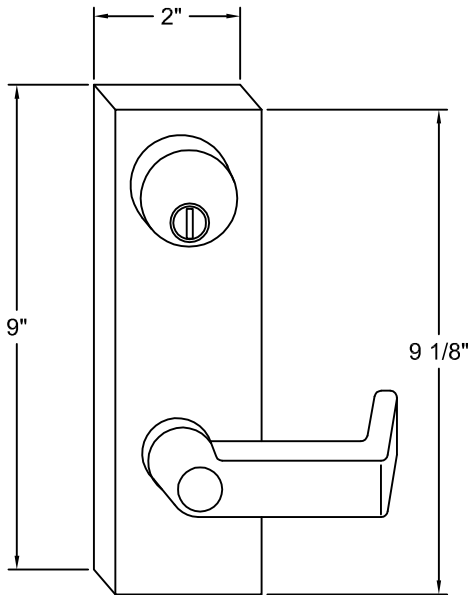
For centerline reference use the exit device template to locate cylinder cam hole, also known as the operator hole.

### NOTE:

RHR requires special #35R retractor for RHRB function.

### ELECTRICAL CONNECTION

Wiring is to be brought from the frame to the lock area of the door.



**NOTE:** All holes are on exterior surface, unless noted.



Elk Grove Village, IL  
800-793-4544

This template is NOT TO SCALE.  
Rev Date 6/27/07