

Lever Installation Template

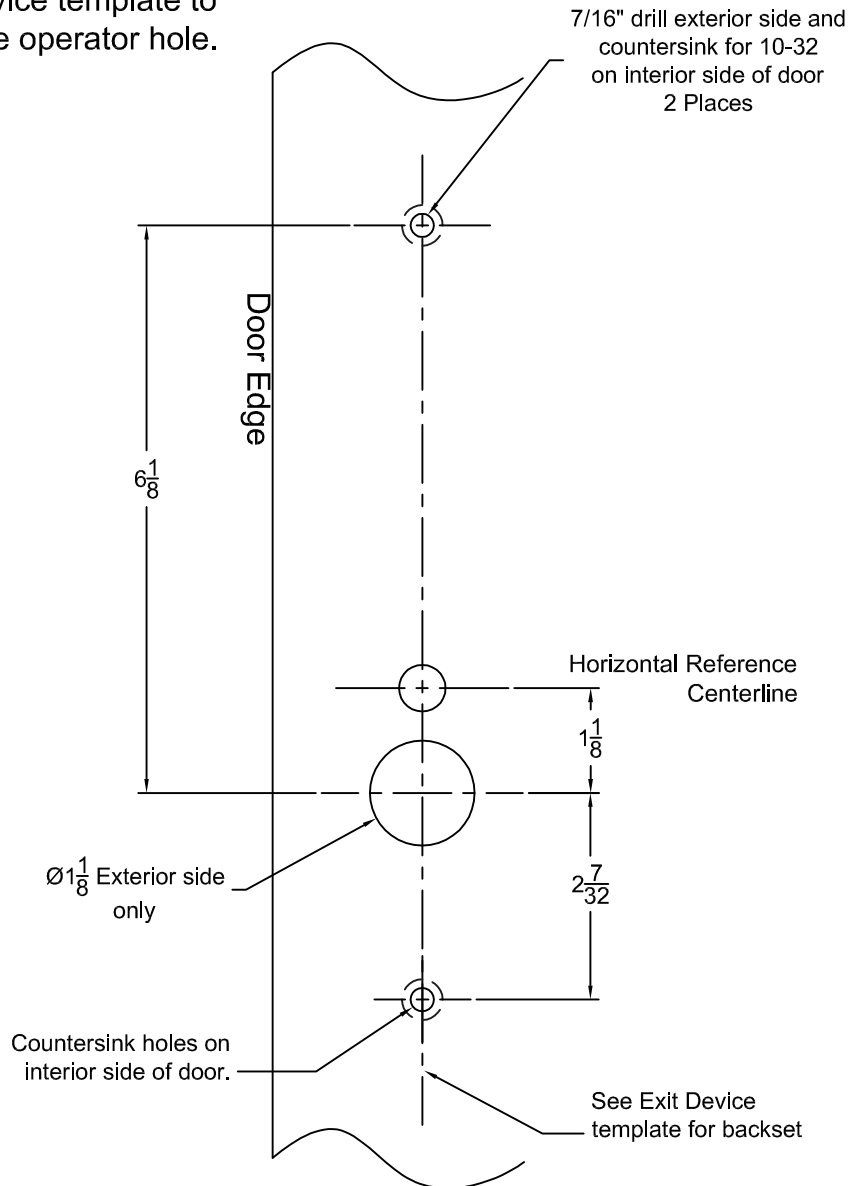
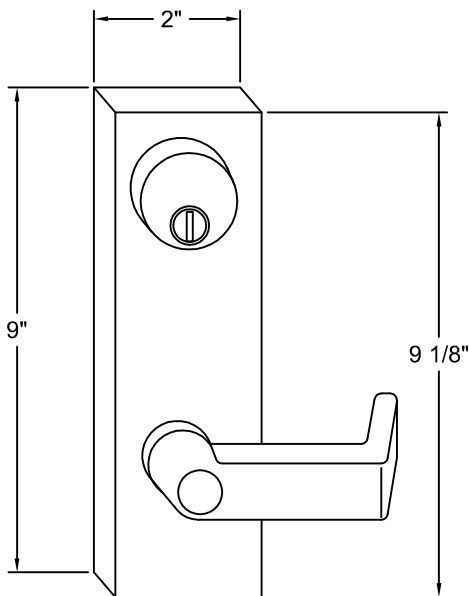
for First Choice Rim Latching 3790 Exit Device
Model L3720 -M RHR Lever Trim

DOOR & FRAME PREPARATION INSTRUCTIONS:

For centerline reference use the exit device template to locate cylinder cam hole, also known as the operator hole.

NOTE:

RHR requires special #35R retractor for RHRB function.



NOTE: All holes are on exterior surface, unless noted.



Elk Grove Village, IL
800-793-4544

This template is NOT TO SCALE.
Rev Date 3/14/07