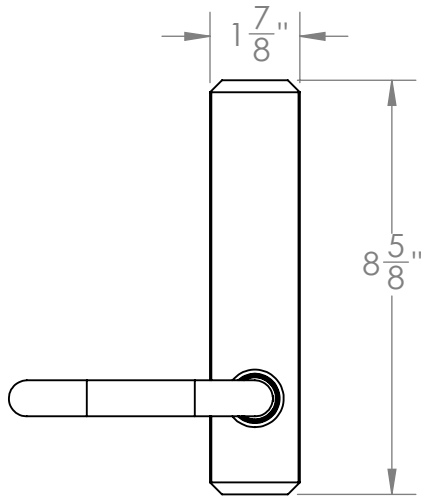


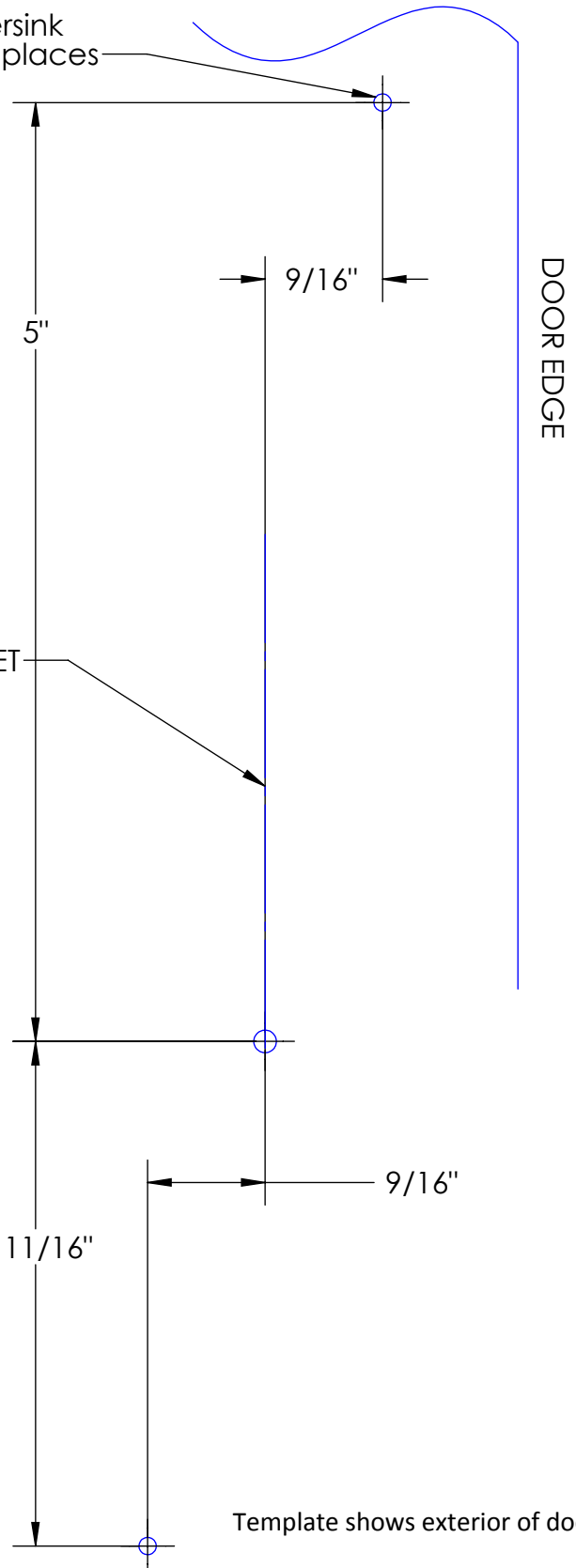
LEVER INSTALLATION TEMPLATE

for First Choice for CVR 3690 Exit Device
Model L3610-M0 Lever Trim Left Hand Reverse Bevel
INACTIVE LEVER
With out electric control

3/8" drill on exterior side and countersink
for #10-32 on interior side of door 2 places



SEE EXIT DEVICE
TEMPLATE FOR BACKSET



DOOR & FRAME PREPARATION INSTRUCTIONS

FOR CENTERLINE REFERENCE USE THE EXIT DEVICE
TEMPLATE TO
LOCATE PINION GEAR HOLE, ALSO KNOWN AS
THE OPERATOR HOLE.

FIRST CHOICE
BUILDING PRODUCTS

REVISED: 08.05.2011

Template shows exterior of door.