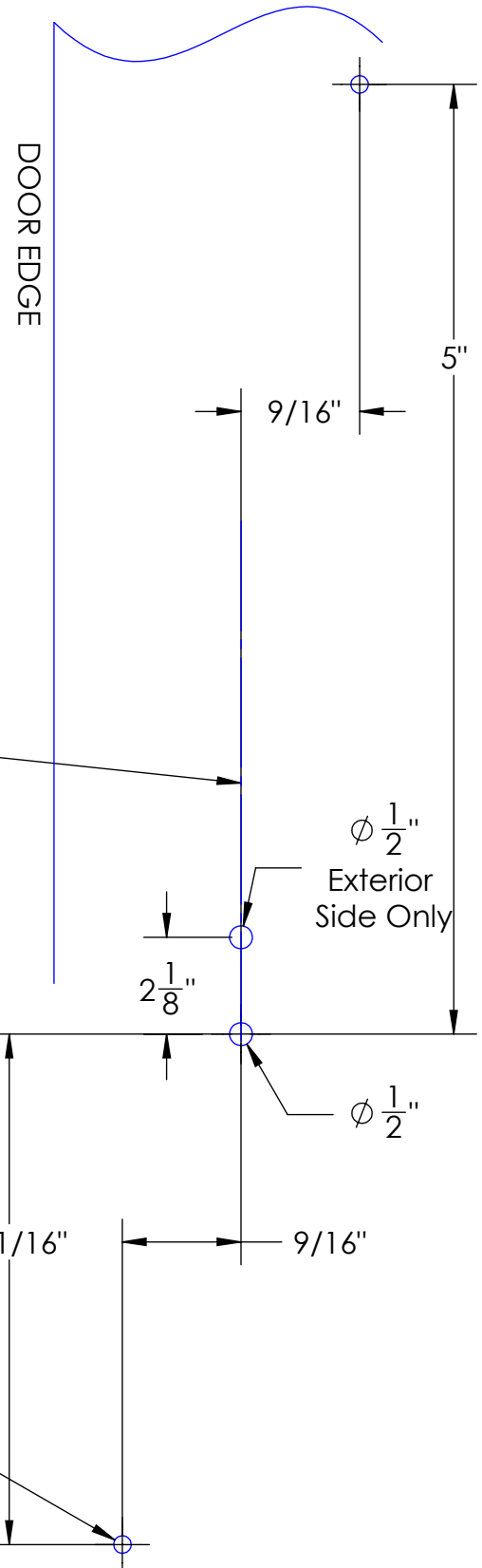
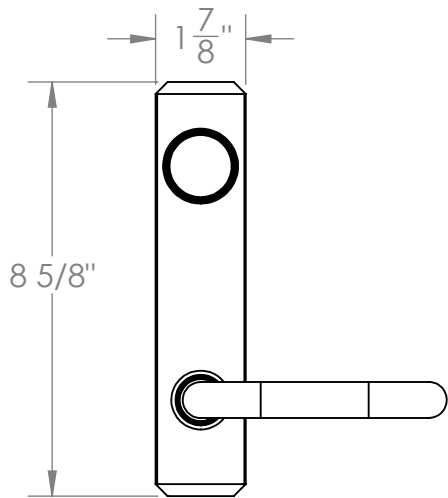


LEVER INSTALLATION TEMPLATE

for First Choice for CVR 3690 Exit Device
 Model L3620 Lever Trim Right Hand Reverse Bevel
 With electric control



SEE EXIT DEVICE
 TEMPLATE FOR
 BACKSET

DOOR & FRAME PREPARATION INSTRUCTIONS

FOR CENTERLINE REFERENCE USE THE EXIT DEVICE
 TEMPLATE TO
 LOCATE PINION GEAR HOLE, ALSO KNOWN AS
 THE OPERATOR HOLE.

ELECTRICAL CONNECTION

Wiring is to be brought
 from the frame to the lock
 area of the door.

3/8" drill on exterior
 side and countersink
 for #10-32 on interior
 side of door 2 places

FIRST CHOICE
 BUILDING PRODUCTS

REVISED: 08.05.2011

Template shows exterior of door