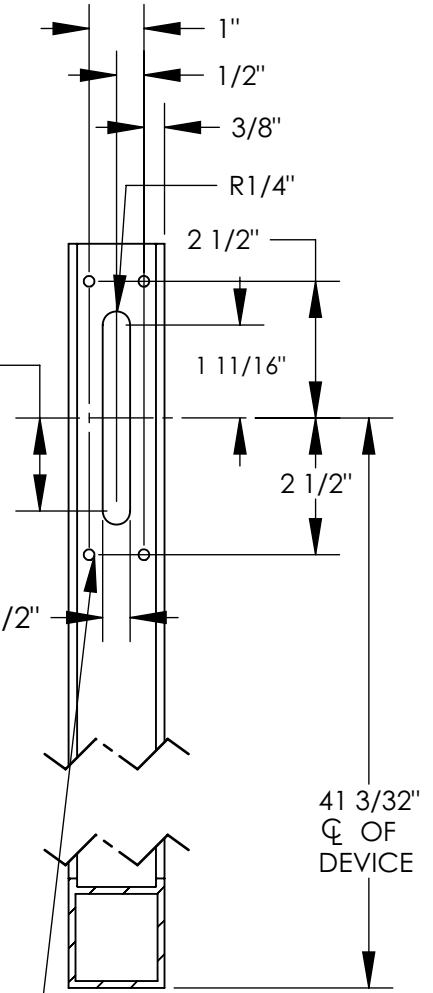
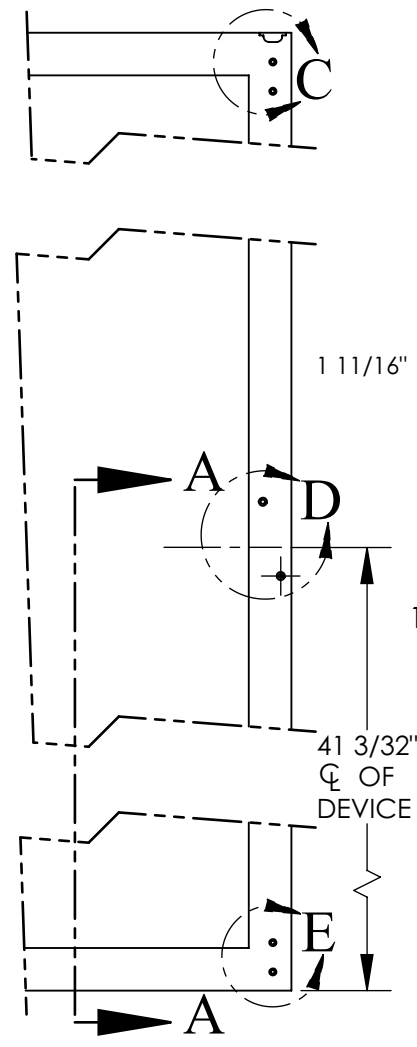
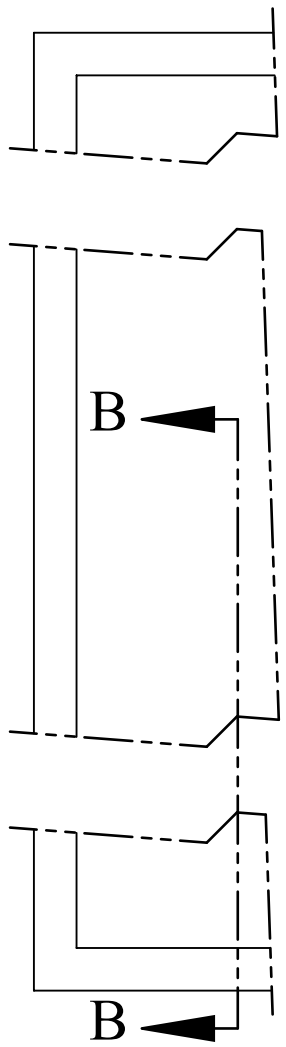
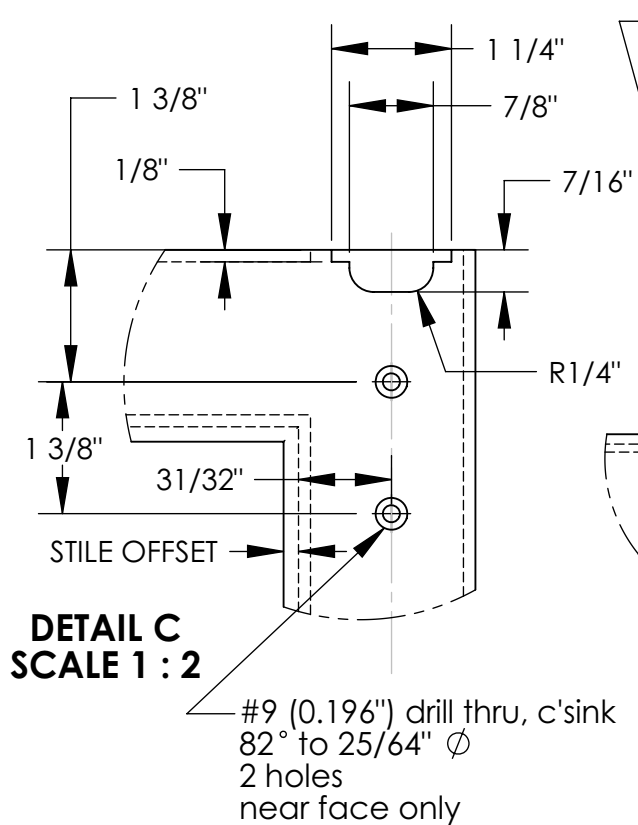


**SECTION B-B
SCALE 1 : 2**

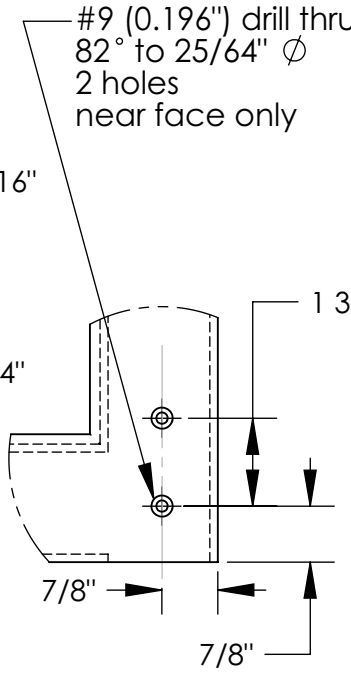


**SECTION A-A
SCALE 1 : 2**

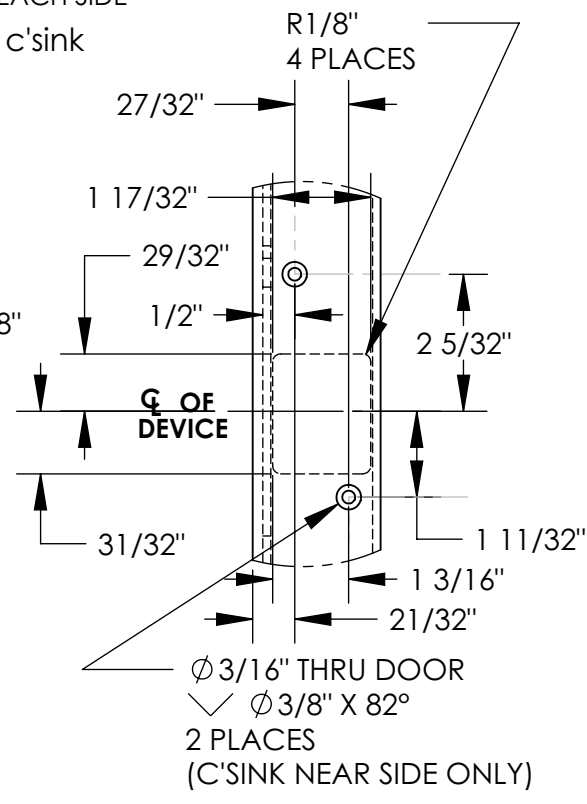
.196" DRILL
1/4-20 TAP
4 PLACES
EACH SIDE



**DETAIL C
SCALE 1 : 2**



**DETAIL E
SCALE 1 : 3**



**DETAIL D
SCALE 1 : 3**